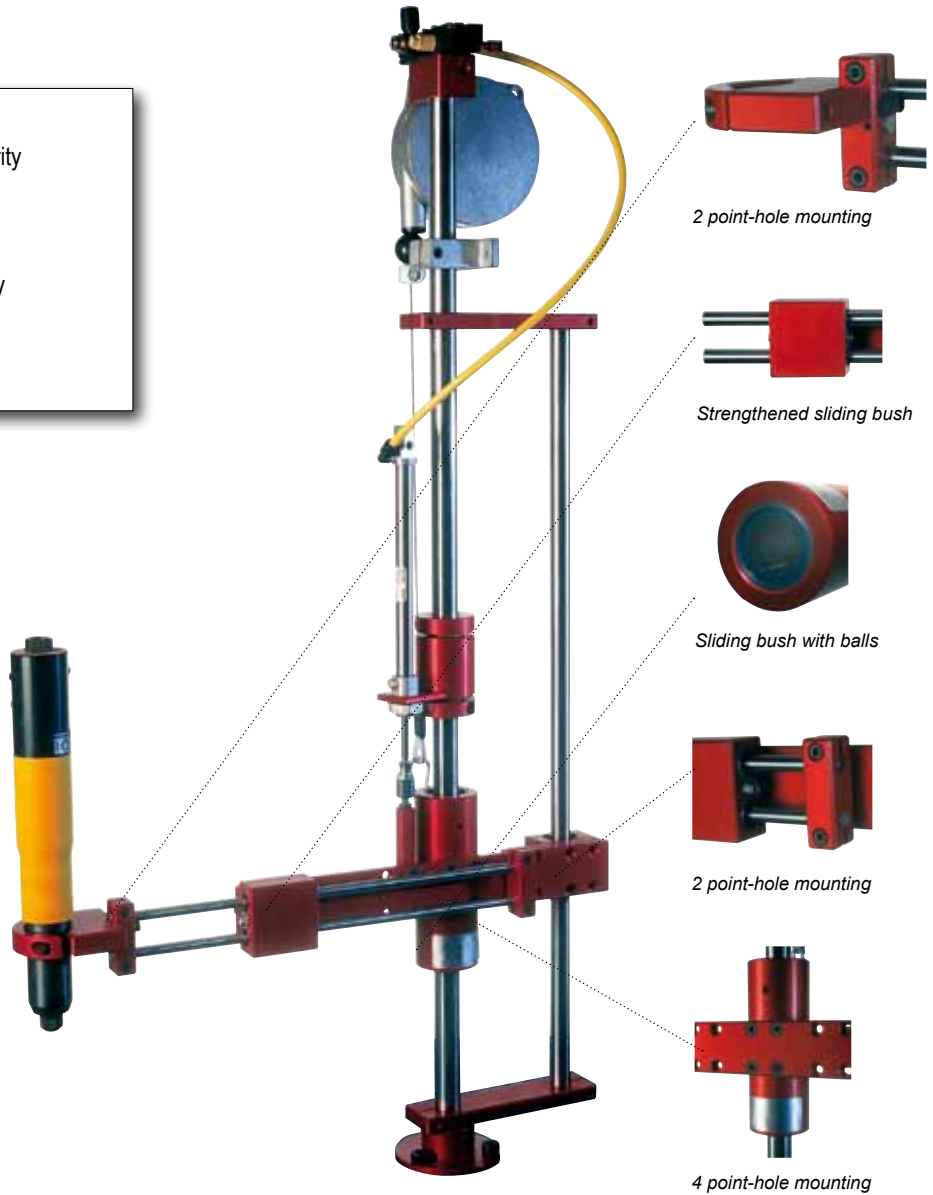


LINEAR REACTION ARMS

BA Serie : Smooth tightening operation and perfect perpendicularity until 100 Nm



- Erase Torque Reaction
- Ensure perfect perpendicularity
- Avoid illnesses
- Suppress the tiredness
- Improve the tightening quality
- Reduce the absenteeism rate
- Improve productivity



BA 12



BA 12 shown with EASY PUSH KIT and anti rotation clamp

BA.. Serie

Model Code	Maxi torque (Nm)	Tool diameter (mm)	Maxi load (kg)
BA 5	5	20-35	0,9
BA 12	12	25-40	1,2
BA 25	25	28-52	2,2
BA 40	40	28-52	2,2/4*
BA 100	100	28-52	3,5/6*

> BA 200 / 400 / 600 Upon request

*With additional balancer - Code : 1200143

ACCESSORIES

Model	For	Code
Anti rotation clamp	BA 5	1200348
Anti rotation clamp	BA 12 & 25	1200116
Anti rotation clamp	BA 40 & 100	1200117

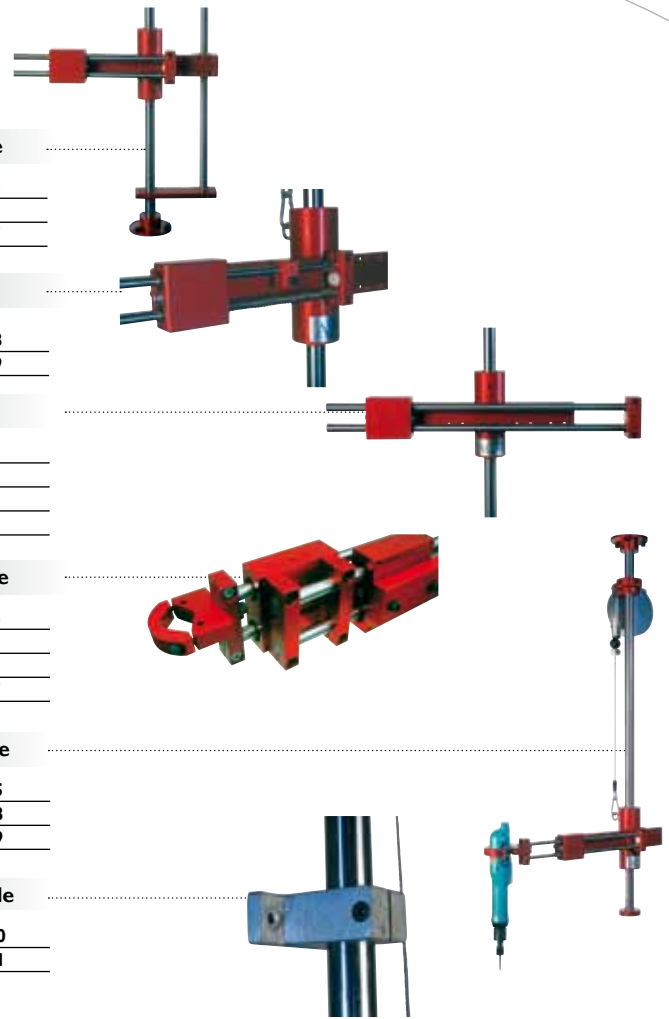
Model	For	Code
ARP system	BA 5 & 12	1200118
ARP system	BA 25 & 40	1200119

Model	For	Stroke (mm)	Code
Extended slides	BA 12	+ 130	1200120
Extended slides	BA 25	+ 130	1200121
Extended slides	BA 40	+ 170	1200122
Extended slides	BA 100	+ 200	1200123

Model	For	Stroke (mm)	Code
Double slide	BA 12	+ 230	1200124
Double slide	BA 25	+ 210	1200125
Double slide	BA 40	+ 295	1200126
Double slide	BA 100	+ 330	1200127

Model	For	Code
Inverse mounting kit	BA 5	1200385
Inverse mounting kit	BA 12 & 25	1200128
Inverse mounting kit	BA 40 & 100	1200129

Model	For	Stroke (mm)	Code
Pole upper clamp	BA 12 & 25	2 Ø 4,3 Center distance 45	1200130
Pole upper clamp	BA 40 & 100	2 Ø 5,3 Center distance 60	1200131



Downward assistance Kits

Downward Assistance Kits will provide you with Extreme Comfort and productivity increase.

Ideal for self-tapping applications it requires no effort from the operator.

BAPER system features a built-in collet chuck that allows the system to be used at any height.

Easy Push system operates only at a preset height by using a mechanical stop that is set along the pole.

Model	For	Pushing force (kg)	Stroke (mm)	Type	Code
EASY PUSH	BA 12	5	125	pneumatic	1200099
EASY PUSH	BA 25	9	160	-	1200102
EASY PUSH	BA 40 & 100	9	200	-	1200103
EASY PUSH	BA 40 & 100	20	200	-	1200144
EASY PUSH	BA 100	25	200	-	1200145
EASY PUSH	BA 12	5	125	electric	1200109
EASY PUSH	BA 25	9	160	-	1200110
EASY PUSH	BA 40 & 100	9	200	-	1200111
EASY PUSH	BA 40 & 100	15	200	-	1200146
EASY PUSH	BA 100	25	200	-	1200147

Model	For	Pushing force (kg)	Type	Code
BAPER	BA 12	5	pneumatic	1200095
BAPER	BA 25	8	-	1200096
BAPER	BA 40 & 100	8	-	1200097
BAPER	BA 12	5	electric	1200105
BAPER	BA 25	8	-	1200106
BAPER	BA 40 & 100	8	-	1200107

Model	For	Code
Safety kit	BA 12 & 25	1200134
Safety kit	BA 40 & 100	1200135

